

An Annotation Scheme for Free Word Order Languages

Wojciech Skut, Brigitte Krenn, Thorsten Brants, Hans Uszkoreit

Universität des Saarlandes

66041 Saarbrücken, Germany

{skut,krenn,brants,uszkoreit}@coli.uni-sb.de

Abstract

We describe an annotation scheme and a tool developed for creating linguistically annotated corpora for non-configurational languages. Since the requirements for such a formalism differ from those posited for configurational languages, several features have been added, influencing the architecture of the scheme. The resulting scheme reflects a stratificational notion of language, and makes only minimal assumptions about the interrelation of the particular representational strata.

1 Introduction

The work reported in this paper aims at providing syntactically annotated corpora ('treebanks') for stochastic grammar induction. In particular, we focus on several methodological issues concerning the annotation of non-configurational languages.

In section 2, we examine the appropriateness of existing annotation schemes. On the basis of these considerations, we formulate several additional requirements. A formalism complying with these requirements is described in section 3. Section 4 deals with the treatment of selected phenomena. For a description of the annotation tool see section 5.

2 Motivation

2.1 Linguistically Interpreted Corpora

Combining raw language data with linguistic information offers a promising basis for the development of new efficient and robust NLP methods. Real-world texts annotated with different strata of linguistic information can be used for grammar induction. The data-drivenness of this approach presents a clear advantage over the traditional, idealised notion of competence grammar.

2.2 Existing Treebank Formats

Corpora annotated with syntactic structures are commonly referred to as *treebanks*. Existing tree-

bank annotation schemes exhibit a fairly uniform architecture, as they all have to meet the same basic requirements, namely:

Descriptivity: Grammatical phenomena are to be described rather than explained.

Theory-independence: Annotations should not be influenced by theory-specific considerations. Nevertheless, different theory-specific representations shall be recoverable from the annotation, cf. (Marcus et al., 1994).

Multi-stratal representation: Clear separation of different description levels is desirable.

Data-drivenness: The scheme must provide representational means for all phenomena occurring in texts. Disambiguation is based on human processing skills (cf. (Marcus et al., 1994), (Sampson, 1995), (Black et al., 1996)).

The typical treebank architecture is as follows:

Structures: A context-free backbone is augmented with trace-filler representations of non-local dependencies. The underlying *argument structure* is not represented directly, but can be recovered from the tree and trace-filler annotations.

Syntactic category is encoded in node labels.

Grammatical functions constitute a complex label system (cf. (Bies et al., 1995), (Sampson, 1995)).

Part-of-Speech is annotated at word level.

Thus the context-free constituent backbone plays a pivotal role in the annotation scheme. Due to the substantial differences between existing models of constituent structure, the question arises of how the *theory independence* requirement can be satisfied. At this point the importance of the underlying *argument structure* is emphasised (cf. (Lehmann et al., 1996), (Marcus et al., 1994), (Sampson, 1995)).

2.3 Language-Specific Features

Treebanks of the format described in the above section have been designed for English. Therefore, the

solutions they offer are not always optimal for other language types. As for free word order languages, the following features may cause problems:

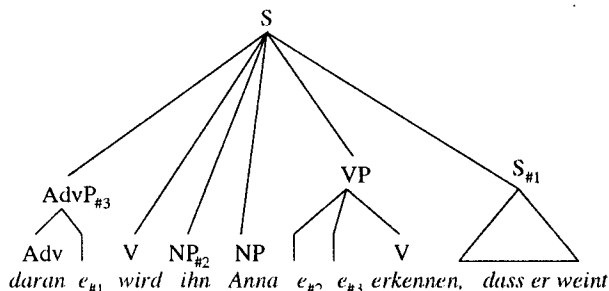
- local and non-local dependencies form a continuum rather than clear-cut classes of phenomena;
- there exists a rich inventory of discontinuous constituency types (topicalisation, scrambling, clause union, pied piping, extraposition, split NPs and PPs);
- word order variation is sensitive to many factors, e.g. category, syntactic function, focus;
- the grammaticality of different word permutations does not fit the traditional binary ‘right-wrong’ pattern; it rather forms a gradual transition between the two poles.

In light of these facts, serious difficulties can be expected arising from the structural component of the existing formalisms. Due to the frequency of discontinuous constituents in non-configurational languages, the filler-trace mechanism would be used very often, yielding syntactic trees fairly different from the underlying predicate-argument structures.

Consider the German sentence

- (1) daran wird ihn Anna erkennen, daß er weint
 at-it will him Anna recognise that he cries
 ‘Anna will recognise him at his cry’

A sample constituent structure is given below:



The fairly short sentence contains three non-local dependencies, marked by co-references between traces and the corresponding nodes. This hybrid representation makes the structure less transparent, and therefore more difficult to annotate.

Apart from this rather technical problem, two further arguments speak against phrase structure as the structural pivot of the annotation scheme:

- Phrase structure models stipulated for non-configurational languages differ strongly from each other, presenting a challenge to the intended theory-independence of the scheme.
- Constituent structure serves as an explanatory device for word order variation, which is difficult to reconcile with the descriptivity requirement.

Finally, the structural handling of free word order means stating well-formedness constraints on structures involving many trace-filler dependencies, which has proved tedious. Since most methods of handling discontinuous constituents make the formalism more powerful, the efficiency of processing deteriorates, too.

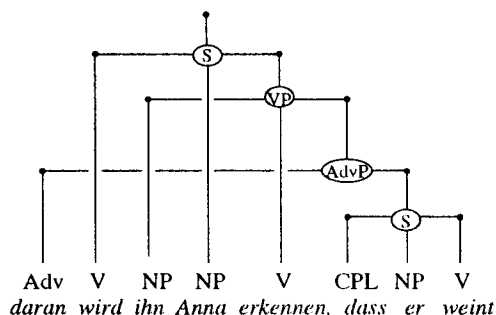
An alternative solution is to make argument structure the main structural component of the formalism. This assumption underlies a growing number of recent syntactic theories which give up the context-free constituent backbone, cf. (McCawley, 1987), (Dowty, 1989), (Reape, 1993), (Kathol and Pollard, 1995). These approaches provide an adequate explanation for several issues problematic for phrase-structure grammars (clause union, extraposition, diverse second-position phenomena).

2.4 Annotating Argument Structure

Argument structure can be represented in terms of unordered trees (with crossing branches). In order to reduce their ambiguity potential, rather simple, ‘flat’ trees should be employed, while more information can be expressed by a rich system of function labels.

Furthermore, the required theory-independence means that the form of syntactic trees should not reflect theory-specific assumptions, e.g. every syntactic structure has a unique head. Thus, notions such as *head* should be distinguished at the level of syntactic functions rather than structures. This requirement speaks against the traditional sort of *dependency trees*, in which heads are represented as non-terminal nodes, cf. (Hudson, 1984).

A tree meeting these requirements is given below:



Such a word order independent representation has the advantage of all structural information being encoded in a single data structure. A uniform representation of local and non-local dependencies makes the structure more transparent¹.

3 The Annotation Scheme

3.1 Architecture

We distinguish the following levels of representation:

¹A context-free constituent backbone can still be recovered from the surface string and argument structure by reattaching ‘extracted’ structures to a higher node.

Argument structure, represented in terms of unordered trees.

Grammatical functions, encoded in edge labels, e.g. SB (subject), MO (modifier), HD (head).

Syntactic categories, expressed by category labels assigned to non-terminal nodes and by part-of-speech tags assigned to terminals.

3.2 Argument Structure

A structure for (2) is shown in fig. 2.

- (2) schade, daß kein Arzt anwesend ist, der
pity that no doctor present is who
sich auskennt
is competent
'Pity that no competent doctor is here'

Note that the root node does not have a head descendant (HD) as the sentence is a predicative construction consisting of a subject (SB) and a predicate (PD) without a copula. The subject is itself a sentence in which the copula (*ist*) does occur and is assigned the tag HD².

The tree resembles traditional constituent structures. The difference is its word order independence: structural units ("phrases") need not be contiguous substrings. For instance, the extraposed relative clause (RC) is still treated as part of the subject NP.

As the annotation scheme does not distinguish different bar levels or any similar intermediate categories, only a small set of node labels is needed (currently 16 tags, S, NP, AP ...).

3.3 Grammatical Functions

Due to the rudimentary character of the argument structure representations, a great deal of information has to be expressed by grammatical functions. Their further classification must reflect different kinds of linguistic information: morphology (e.g., case, inflection), category, dependency type (complementation vs. modification), thematic role, etc.³

However, there is a trade-off between the granularity of information encoded in the labels and the speed and accuracy of annotation. In order to avoid inconsistencies, the corpus is annotated in two stages: *basic annotation* and *refinement*. While in the first phase each annotator has to annotate structures as well as categories and functions, the refinement can be done separately for each representation level.

During the first phase, the focus is on annotating correct structures and a coarse-grained classification of grammatical functions, which represent the following areas of information:

²CP stands for complementizer, OA for accusative object and RC for relative clause. NK denotes a 'kernel NP' component (v. section 4.1).

³For an extensive use of grammatical functions cf. (Karlsson et al., 1995), (Voutilainen, 1994).

Dependency type: *complements* are further classified according to features such as category and case: clausal complements (OC), accusative objects (OA), datives (DA), etc. Modifiers are assigned the label MO (further classification with respect to thematic roles is planned). Separate labels are defined for dependencies that do not fit the complement/modifier dichotomy, e.g., pre- (GL) and postnominal genitives (GR).

Headedness versus non-headedness:

Headed and non-headed structures are distinguished by the presence or absence of a branch labeled HD.

Morphological information: Another set of labels represents morphological information. PM stands for *morphological particle*, a label for German infinitival *zu* and superlative *am*. Separable verb prefixes are labeled SVP.

During the second annotation stage, the annotation is enriched with information about thematic roles, quantifier scope and anaphoric reference. As already mentioned, this is done separately for each of the three information areas.

3.4 Structure Sharing

A phrase or a lexical item can perform multiple functions in a sentence. Consider *equi verbs* where the subject of the infinitival VP is not realised syntactically, but co-referent with the subject or object of the matrix equi verb:

- (3) er bat mich zu kommen
he asked me to come

(*mich* is the understood subject of *kommen*). In such cases, an additional edge is drawn from the embedded VP node to the controller, thus changing the syntactic tree into a graph. We call such additional edges *secondary links* and represent them as dotted lines, see fig. 4, showing the structure of (3).

4 Treatment of Selected Phenomena

As theory-independence is one of our objectives, the annotation scheme incorporates a number of widely accepted linguistic analyses, especially in the area of verbal, adverbial and adjectival syntax. However, some other *standard analyses* turn out to be problematic, mainly due to the partial, idealised character of competence grammars, which often marginalise or ignore such important phenomena as 'deficient' (e.g. headless) constructions, appositions, temporal expressions, etc.

In the following paragraphs, we give annotations for a number of such phenomena.

4.1 Noun Phrases

Most linguistic theories treat NPs as structures headed by a unique lexical item (noun). However, this

idealised model needs several additional assumptions in order to account for such important phenomena as complex nominal NP components (cf. (4)) or nominalised adjectives (cf. (5)).

- (4) my uncle Peter Smith
- (5) der sehr Glückliche
the very happy
'the very happy one'

In (4), different theories make different headedness predictions. In (5), either a lexical nominalisation rule for the adjective *Glückliche* is stipulated, or the existence of an empty nominal head. Moreover, the so-called DP analysis views the article *der* as the head of the phrase. Further differences concern the attachment of the degree modifier *sehr*.

Because of the intended theory-independence of the scheme, we annotate only the common minimum. We distinguish an NP kernel consisting of determiners, adjective phrases and nouns. All components of this kernel are assigned the label NK and treated as sibling nodes.

The difference between the particular NK's lies in the positional and part-of-speech information, which is also sufficient to recover theory-specific structures from our 'underspecified' representations. For instance, the first determiner among the NK's can be treated as the specifier of the phrase. The head of the phrase can be determined in a similar way according to theory-specific assumptions.

In addition, a number of clear-cut NP components can be defined outside that juxtapositional kernel: pre- and postnominal genitives (GL, GR), relative clauses (RC), clausal and sentential complements (OC). They are all treated as siblings of NK's regardless of their position (in situ or extraposed).

4.2 Attachment Ambiguities

Adjunct attachment often gives rise to structural ambiguities or structural uncertainty. However, full or partial disambiguation takes place in context, and the annotators do not consider unrealistic readings.

In addition, we have adopted a simple convention for those cases in which context information is insufficient for total disambiguation: the highest possible attachment site is chosen.

A similar convention has been adopted for constructions in which scope ambiguities have syntactic effects but a one-to-one correspondence between scope and attachment does not seem reasonable, cf. focus particles such as *only* or *also*. If the scope of such a word does not directly correspond to a tree node, the word is attached to the lowest node dominating *all* subconstituents appearing in its scope.

4.3 Coordination

A problem for the rudimentary argument structure representations is the use of incomplete structures

in natural language, i.e. phenomena such as coordination and ellipsis. Since a precise structural description of non-constituent coordination would require a rich inventory of incomplete phrase types, we have agreed on a sort of underspecified representations: the coordinated units are assigned structures in which missing lexical material is not represented at the level of primary links. Fig. 3 shows the representation of the sentence:

- (6) sie wurde von preußischen Truppen besetzt
she was by Prussian troops occupied
und 1887 dem preußischen Staat angegliedert
and 1887 to-the Prussian state incorporated
'it was occupied by Prussian troops and incorporated into Prussia in 1887'

The category of the coordination is labeled CVP here, where C stands for coordination, and VP for the actual category. This extra marking makes it easy to distinguish between 'normal' and coordinated categories.

Multiple coordination as well as enumerations are annotated in the same way. An explicit coordinating conjunction need not be present.

Structure-sharing is expressed using secondary links.

5 The Annotation Tool

5.1 Requirements

The development of linguistically interpreted corpora presents a laborious and time-consuming task. In order to make the annotation process more efficient, extra effort has been put into the development of an annotation tool.

The tool supports immediate graphical feedback and automatic error checking. Since our scheme permits crossing edges, visualisation as bracketing and indentation would be insufficient. Instead, the complete structure should be represented.

The tool should also permit a convenient handling of node and edge labels. In particular, variable tagsets and label collections should be allowed.

5.2 Implementation

As the need for certain functionalities becomes obvious with growing annotation experience, we have decided to implement the tool in two stages. In the first phase, the main functionality for building and displaying unordered trees is supplied. In the second phase, secondary links and additional structural functions are supported. The implementation of the first phase as described in the following paragraphs is completed.

As keyboard input is more efficient than mouse input (cf. (Lehmann et al., 1996)) most effort has been put in developing an efficient keyboard interface. Menus are supported as a useful way of getting

help on commands and labels. In addition to pure annotation, we can attach comments to structures.

Figure 1 shows a screen dump of the tool. The largest part of the window contains the graphical representation of the structure being annotated. The following commands are available:

- group words and/or phrases to a new phrase;
- ungroup a phrase;
- change the name of a phrase or an edge;
- re-attach a node;
- generate the postscript output of a sentence.

The three tagsets used by the annotation tool (for words, phrases, and edges) are variable and are stored together with the corpus. This allows easy modification if needed. The tool checks the appropriateness of the input.

For the implementation, we used Tcl/Tk Version 4.1. The corpus is stored in a SQL database.

5.3 Automation

The degree of automation increases with the amount of data available. Sentences annotated in previous steps are used as training material for further processing. We distinguish five degrees of automation:

- 0) Completely manual annotation.
- 1) The user determines phrase boundaries and syntactic categories (S, NP, etc.). The program automatically assigns grammatical function labels. The annotator can alter the assigned tags.
- 2) The user only determines the components of a new phrase, the program determines its syntactic category and the grammatical functions of its elements. Again, the annotator has the option of altering the assigned tags.
- 3) Additionally, the program performs simple bracketing, i.e., finds 'kernel' phrases.
- 4) The tagger suggests partial or complete parses.

So far, about 1100 sentences of our corpus have been annotated. This amount of data suffices as training material to reliably assign the grammatical functions if the user determines the elements of a phrase and its type (step 1 of the list above).

5.4 Assigning Grammatical Function Labels

Grammatical functions are assigned using standard statistical part-of-speech tagging methods (cf. e.g. (Cutting et al., 1992) and (Feldweg, 1995)).

For a phrase Q with children of type T_1, \dots, T_k and grammatical functions G_1, \dots, G_k , we use the lexical probabilities

$$P_Q(G_i|T_i)$$

and the contextual (trigram) probabilities

$$P_Q(T_i|T_{i-1}, T_{i-2})$$

The lexical and contextual probabilities are determined separately for each type of phrase. During annotation, the highest rated grammatical function labels G_i are calculated using the Viterbi algorithm and assigned to the structure, i.e., we calculate

$$\operatorname{argmax}_G \prod_{i=1}^k P_Q(T_i|T_{i-1}, T_{i-2}) \cdot P_Q(G_i|T_i).$$

To keep the human annotator from missing errors made by the tagger, we additionally calculate the strongest competitor for each label G_i . If its probability is close to the winner (closeness is defined by a threshold on the quotient), the assignment is regarded as unreliable, and the annotator is asked to confirm the assignment.

For evaluation, the already annotated sentences were divided into two disjoint sets, one for training (90% of the corpus), the other one for testing (10%). The procedure was repeated 10 times with different partitionings.

The tagger rates 90% of all assignments as reliable and carries them out fully automatically. Accuracy for these cases is 97%. Most errors are due to wrong identification of the subject and different kinds of objects in sentences and VPs. Accuracy of the unreliable 10% of assignments is 75%, i.e., the annotator has to alter the choice in 1 of 4 cases when asked for confirmation. Overall accuracy of the tagger is 95%.

Owing to the partial automation, the average annotation efficiency improves by 25% (from around 4 minutes to 3 minutes per sentence).

6 Conclusion

As the annotation scheme described in this paper focusses on annotating argument structure rather than constituent trees, it differs from existing treebanks in several aspects. These differences can be illustrated by a comparison with the Penn Treebank annotation scheme. The following features of our formalism are then of particular importance:

- simpler (i.e. 'flat') representation structures
- complete absence of empty categories
- no special mechanisms for handling discontinuous constituency

The current tagset comprises only 16 node labels and 34 function tags, yet a finely grained classification will take place in the near future.

We have argued that the selected approach is better suited for producing high quality interpreted corpora in languages exhibiting free constituent order. In general, the resulting interpreted data also are closer to semantic annotation and more neutral with respect to particular syntactic theories.

As modern linguistics is also becoming more aware of the importance of larger sets of naturally occur-

General: Corpus: <input type="text" value="RefCorpus Testkopie"/> Editor: <input type="text" value="Thorsten"/> <input type="checkbox"/> Parser <input type="button" value="Ok"/> <input type="button" value="Reload"/> <input type="button" value="Exit"/>	Sentence: No.: 4 / 1269 Last edited: Thorsten, 07/02/97, 17:39:29 Comment: <input type="text"/> Origin: refcorp.tt
---	---

The diagram shows a hierarchical syntactic tree. The root node is CS (511), which branches into CJ (509) and HD. CJ (509) branches into HD, MO, DA, and SB (507). SB (507) branches into NP (500) and RE (504). NP (500) branches into NK and NK. RE (504) branches into CP, SB (501), PD, and HD. SB (501) branches into NK and NK. The tree continues to branch down to individual words and their grammatical functions. The words and their functions are: Es (PPER), spielt (VFIN), eben (ADV), keine (PIAT), Rolle (NN), \$ (S), ob (KOUS), die (ART), Musik (NN), gefällig (ADJD), ist (VAFIN), - (S), nur (ADV), etwas (PIAT), " (S), Neues (NN), " (S), mu's (VMFIN).

Move: <input type="button" value="Prev"/> <input type="button" value="Next"/> <input type="text" value="Go to:"/> <input type="button" value="-10"/> <input type="button" value="+10"/> <input type="checkbox"/> Filter <input type="button" value="Mask..."/> <input type="button" value="-100"/> <input type="button" value="+100"/> Matches: 0	Dependency: Selection: <input type="text"/> Command: <input type="text"/> <input type="button" value="Execute"/>	Parentlabel: Node no.: <input type="text"/> Parentlabel: <input type="text"/> <input type="button" value="Next"/> <input type="button" value="Prev"/> <input type="button" value="End"/>
---	--	--

Switching to sentence no. 4... Done.

Figure 1: Screen dump of the annotation tool

ring data, interpreted corpora are a valuable resource for theoretical and descriptive linguistic research. In addition the approach provides empirical material for psycholinguistic investigation, since preferences for the choice of certain syntactic constructions, linearizations, and attachments that have been observed in online experiments of language production and comprehension can now be put in relation with the frequency of these alternatives in larger amounts of texts.

Syntactically annotated corpora of German have been missing until now. In the second phase of the project *Verbmobil* a treebank for 30,000 German spoken sentences as well as for the same amount of English and Japanese sentences will be created. We will closely coordinate the further development of our corpus with the annotation work in *Verbmobil* and with other German efforts in corpus annotation.

Since the combinatorics of syntactic constructions creates a demand for very large corpora, efficiency of

annotation is an important criterion for the success of the developed methodology and tools. Our annotation tool supplies efficient manipulation and immediate visualization of argument structures. Partial automation included in the current version significantly reduces the manual effort. Its extension is subject to further investigations.

7 Acknowledgements

This work is part of the DFG Sonderforschungsbereich 378 *Resource-Adaptive Cognitive Processes*, Project C3 *Concurrent Grammar Processing*.

We wish to thank Tania Avgustinova, Berthold Crysmann, Lars Konieczny, Stephan Oepen, Karel Oliva, Christian Weiß and two anonymous reviewers for their helpful comments on the content of this paper. We also wish to thank Robert MacIntyre and Ann Taylor for valuable discussions on the Penn Treebank annotation. Special thanks go to Oliver

Plaehn, who implemented the annotation tool, and to our fearless annotators Roland Hendriks, Kerstin Klöckner, Thomas Schulz, and Bernd-Paul Simon.

References

Ann Bies et al. 1995. *Bracketing Guidelines for Treebank II Style Penn Treebank Project*. Technical report, University of Pennsylvania.

Ezra Black et al. 1996. Beyond Skeleton Parsing: Producing a Comprehensive Large-Scale General-English Treebank With Full Grammatical Analysis. In *The 16th International Conference on Computational Linguistics*, pages 107 – 113, Copenhagen, Denmark.

Doug Cutting, Julian Kupiec, Jan Pedersen, and Penelope Sibun. 1992. A practical part-of-speech tagger. In *Proceedings of the 3rd Conference on Applied Natural Language Processing (ACL)*, pages 133–140.

David Dowty. 1989. Towards a minimalist theory of syntactic structure. In *Tilburg Conference on Discontinuous Constituency*.

Helmut Feldweg. 1995. Implementation and evaluation of a German HMM for POS disambiguation. In *Proceedings of EACL-SIGDAT-95 Workshop*, Dublin, Ireland.

Richard Hudson. 1984. *Word Grammar*. Basil Blackwell Ltd.

Fred Karlsson, Atro Voutilainen, Juha Heikkilä, and Arto Anttila. 1995. *Constraint Grammar. A Language-Independent System for Parsing Unrestricted Text*. Mouton de Gruyter, Berlin, New York.

Kathol, Andreas and Carl Pollard. 1995. Extraposition via Complex Domain Formation. In *Proceedings of the 33rd Annual Meeting of the ACL*, pages 174–180, Cambridge, MA. Association for Computational Linguistics.

Sabine Lehmann et al. 1996. TSNLP – Test Suites for Natural Language Processing. In *The 16th International Conference on Computational Linguistics*, pages 711 – 717, Copenhagen, Denmark.

Mitchell Marcus et al. 1994. The Penn Treebank: Annotating Predicate Argument Structure. In *Proceedings of the Human Language Technology Workshop*, San Francisco. Morgan Kaufmann.

James McCawley. 1987. Some additional evidence for discontinuity. In Huck and Ojeda (eds.), *Discontinuous Constituency: Syntax and Semantics*, pp 185–200. New York, Academic Press.

Mike Reape. 1993. *A Formal Theory of Word Order: A Case Study in West Germanic*. Ph.D. thesis, University of Edinburgh.

Geoffrey Sampson. 1995. *English for the Computer. The SUSANNE Corpus and Analytic Scheme*. Clarendon Press, Oxford.

Atro Voutilainen. 1994. *Designing a Parsing Grammar*. University of Helsinki, Dept. of General Linguistics. Publications No. 22.

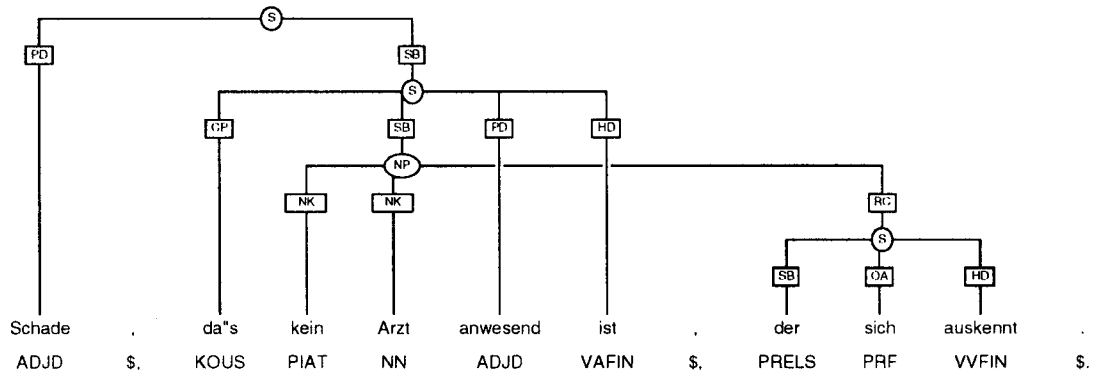


Figure 2: Headed and non-headed structures, extraposition

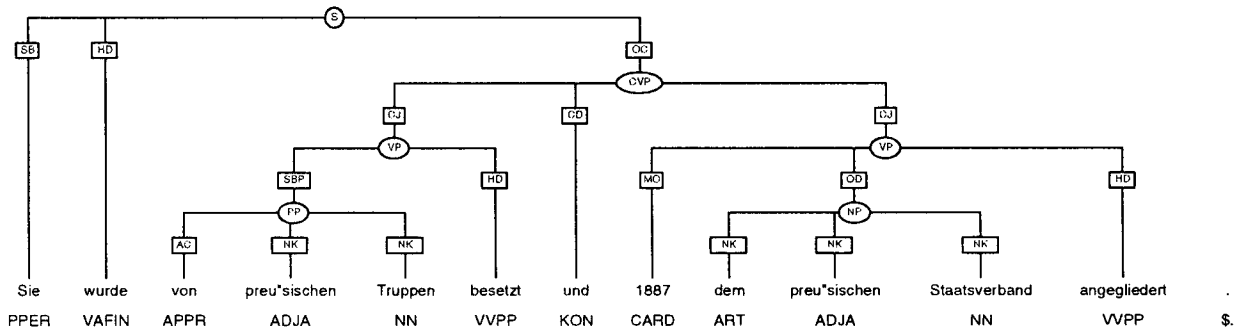


Figure 3: Coordination

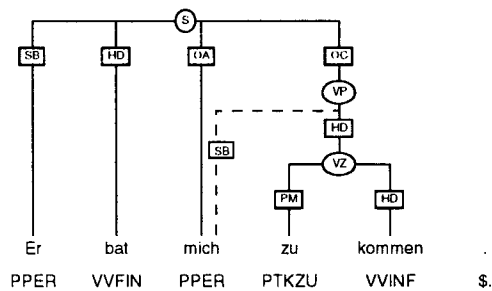


Figure 4: Equi construction