

Fine-grained Temporal Orientation and its Relationship with Psycho-demographic Correlates

Sabyasachi Kamila¹, Mohammed Hasanuzzaman², Asif Ekbal¹,
Pushpak Bhattacharyya¹ and Andy Way²

¹Department of Computer Science and Engineering,
Indian Institute of Technology Patna, India

²ADAPT Centre, School of Computing, Dublin City University, Dublin, Ireland
sabyasachi.pcs16@iitp.ac.in

Abstract

Temporal orientation refers to an individual's tendency to connect to the psychological concepts of *past*, *present* or *future*, and it affects personality, motivation, emotion, decision making and stress coping processes. The study of the social media users' psycho-demographic attributes from the perspective of human temporal orientation can be of utmost interest and importance to the business and administrative decision makers as it can provide an extra precious information for them to make informed decisions. In this paper, we propose a very first study to demonstrate the association between the sentiment view of the temporal orientation of the users and their different psycho-demographic attributes by analyzing their tweets. We first create a temporal orientation classifier in a minimally supervised way which classifies each tweet of the users in one of the three temporal categories, namely *past*, *present*, and *future*. A deep Bi-directional Long Short Term Memory (BLSTM) is used for the tweet classification task. Our tweet classifier achieves an accuracy of 78.27% when tested on a manually created test set. We then determine the users' overall temporal orientation based on their tweets on the social media. The sentiment is added to the tweets at the fine-grained level where each temporal tweet is given a sentiment with either of the positive, negative or neutral. Our experiment reveals that depending upon the sentiment view of temporal orientation, a user's attributes vary. We finally measure the correlation between the users' sentiment view of temporal orientation and their different psycho-demographic factors using regression.

1 Introduction

The rapid growth of social media data in recent years has encouraged different studies which only existed at the psychological level (theory or pure

logic). Various attributes of users can be analyzed from the texts they write on the social media platform. The studies include age, gender prediction (Marquardt et al., 2014; Sap et al., 2014), psychological well being (Dodds et al., 2011; Choudhury et al., 2013), and a host of other behavioural, psychological and medical phenomena (Kosinski et al., 2013). However, a few works exist which analyze these factors using socio-economic characteristics of the Twitter users.

Time is generally defined by a dimension where the events are ordered from the past through the *present* into the *future* which includes duration and intervals. Major studies on time have been done for event detection (Ihler et al., 2006; Batal et al., 2012; Sakaki et al., 2013) which are mainly of the subjective consent. In contrast, temporal orientation of a user is defined by his/her tendency to emphasize *past*, *present* or *future* (Zimbardo and Boyd, 2015) which gives more objective consent of time. The growth of social media content has enabled us to study this objective consent more precisely.

Past studies have established a consistent link between the temporal orientation and several user characteristics such as age, gender, education, and psychological traits (Webley and Nyhus, 2006; Adams and Nettle, 2009; Schwartz et al., 2013; Zimbardo and Boyd, 2015). However, the sentiment dimension (positive, negative or neutral) of the temporal orientation is merely studied at the empirical level on a large-scale. For example, people who are optimistic are future-oriented and positive at the same time. So, only defining the temporal orientation cannot specify the optimistic people correctly. We need the sentiment dimension as well to find the exact correlation.

In this paper, we first develop a temporal-orientation classifier to classify tweets into *past*, *present*, and *future* and then group over the users

to create user-level assessments. We use a Bidirectional Long Short Term Memory (Bi-LSTM) network for tweet temporal classification where tweet vectors are fed to generate the classification model. We propose a hash tag-based *minimally supervised* method with the two-pass filtering to create the *past*, *present* and *future*-oriented tweets for the training of the Bi-LSTM network. We manually examined trending hashtags in Twitter for a specific period of time and selected hashtags which represent *past*, *present/ongoing*, or *future* events. The English tweets containing one of the selected hashtags are crawled using Twitter streaming API.¹ The tweet temporal orientation classifier is validated on a manually annotated test set. Finally, we use this classifier to automatically classify a large dataset consisting of ≈ 10 million tweets from 5,191 users mapped to their user-level features.

Besides these three temporal categories (*past*, *present* or *future*), we have considered the positive, negative and neutral sentiments of the tweets for the fine-grained classification. The user-level tweets with a particular temporal orientation is further subdivided into either positive, negative or neutral sentiment. Finally, we evaluated whether the sentiment view of temporal orientation (i.e. past-positive, past-negative, past-neutral, present-positive, present-negative, present-neutral, future-positive, future-negative, and future-neutral) of the users is related to their several psychodemographic attributes. In this research, we have considered five psycho-demographic attributes, namely age, education, relationship, intelligence, and optimism.

Our contributions are summarised as below:

- We introduce the sentiment dimensions in the human temporal orientation to infer the social media users' psycho-demographic attributes on a large-scale.
- We propose a minimally supervised approach to the temporal orientation classification task that leverages large quantities of unlabeled data and requires no hand-annotated training corpora. The empirical evidence shows that the method performs reasonably well.
- We create a gold-standard temporal orientation tweet corpus.

¹<https://dev.twitter.com/streaming/overview>. Last accessed on 10-01-2018.

- We define a way to find a novel association between the sentiment view of temporal orientation and the different psychodemographic factors of the tweet users.

2 Related Background

The temporal study has recently received an increased attention in several application domains of Natural Language Processing (NLP) and Information Retrieval (IR). The introduction of the TempEval task (Verhagen et al., 2009) and the subsequent challenges i.e. TempEval-2 and -3 (Verhagen et al., 2010; UzZaman et al., 2013) in the Semantic Evaluation workshop series have clearly established the importance of time in dealing with the different NLP tasks. Alonso et al. (2011) reviewed the current research trends and presented a number of interesting applications along with the open problems.

The shared task like the NTCIR-11 Temporalia task (Joho et al., 2014) further pushed this idea and proposed to distinguish whether a given query is related to *past*, *recency*, *future* or *atemporal*. It is the first such challenge, which is organized to provide a common platform for designing and analyzing the time-aware information access systems. In parallel, new trends have emerged in the context of the human temporal orientation (Schwartz et al., 2013; Sap et al., 2014; Park et al., 2015; Schwartz et al., 2015; Park et al., 2017). The underlying idea is to understand how the past, present, and future emphasis in the text may affect people's finances, health, and happiness. For that purpose, the temporal classifiers are built to detect the overall temporal dimension of a given sentence. For instance, the following sentence "*can't wait to get a pint tonight*" would be tagged as *future*.

In summary, most of the temporal text processing applications have been mainly relying on the rule-based time taggers, for e.g. HeidelTime (Strötgen and Gertz, 2015) or SUTime (Chang and Manning, 2012) to identify and normalize time mentions in the texts. Although interesting results have been reported (UzZaman et al., 2013), but the coverage is limited to the finite number of rules they implement.

The time perspective and its importance in various social science and psychological studies is well established in literature. It plays a fundamental role in our interpersonal relation influenced by cognitive process (Zimbardo and Boyd, 2015).

This is also useful in forming goals, expectations and imaginations. Time perspective is a fundamental process, which intern, influenced by many user attributes such as age, religion, education etc. In their research, [Zimbardo and Boyd \(2015\)](#) have shown that the negative view of the past is related to depression, anxiety, unhappiness, and low self-esteem but the positive view of the past is related to self-esteem and happiness. The hedonistic view of the present is related to novelty seeking and sensation seeking whereas the fatalistic view of the present is related to aggression, anxiety and depression. The future is related to conscientiousness but negatively correlated with depression and anxiety.

Another research suggests that the satisfaction with life of the older adults depends on their positive views of past ([Kazakina, 1999](#)). In their research, [Drake et al. \(2008\)](#) described that the past-positive is positively correlated to happiness. The link between the past-negative and many psychological distress like depression and anxiety has been well established in literature ([Cully et al., 2001](#)). A focus on the future is very effective for functioning positively. The future orientation also helps in better health in later life ([Kahana et al., 2005](#)). In a research, [George \(2009\)](#) evaluated that subjective well-being, happiness, psychological well-being, positive effects and morale refer to the positive orientation towards life.

Past research has established that the time perspective is an important factor to determine the human emotional intelligence ([Stolarski et al., 2011](#)). In our work, we measure the relationship with different level of intelligence and the sentiment view of the temporal orientation by more objective consent of the time perspective, i.e. temporal orientation from the tweets on the social media. In a social science research, [Guthrie et al. \(2009\)](#) have shown that the future time perspective is associated with the current socioeconomic status, and the past-fatalistic time perspective is associated with the both current and childhood socioeconomic status.

Although these kinds of research exist extensively in the psychological study, it is not well explored with the empirical study using more objective consent of the time perspective, i.e the temporal orientation. As per our best knowledge, only a very few studies exist that focus on the temporal orientation where only the coarse-grained classes

have been considered ([Schwartz et al., 2015](#); [Park et al., 2017](#)). In these researches, many user attributes were correlated with the temporal orientation which include conscientiousness, age, gender, openness, extraversion, agreeableness, neuroticism, satisfaction with life, depression, IQ, number of friends etc. In our work, we incorporated fine-grained temporal orientation and found the correlation with the users' age, education, relationship, intelligence, and optimism. The fine-grained study of the temporal orientation only existed at the theoretical level validated with very limited user dataset. Besides validating these findings in the empirical way for the large number of users, we also discuss some previously unexplored relationships.

3 Methodology

We first create a deep temporal-orientation classifier to capture the temporal orientation (*past*, *present* and *future*) of the users' tweets. Thereafter we further classify the users' tweets at the fine-grained level by associating sentiment, i.e. positive, negative or neutral for each temporal category. We compare our temporal-orientation classifier with an existing state-of-the-art method.

3.1 Temporal Orientation Classification

The temporal orientation of tweets is defined by classifying each tweet T in one of the temporal categories t , where $t \in \{ \textit{past}, \textit{present}, \textit{or future} \}$. Given the following tweet "*Let me change lanes and turn left legally*", the temporal orientation classifier should predict it as an instance of *future* orientation. At first we create a temporal oriented tweet dataset in a minimally supervised way by exploiting the hashtag information. Deep Bi-LSTM network is then trained on this dataset. We use LSTM networks ([Hochreiter and Schmidhuber, 1997](#)) as these are well known for capturing the long-term dependencies within the text.

Many times we fail to capture the temporal orientation of a text using just the tense information or the existing temporal keywords. In particular, the tweet "*Today I have a plan for a meeting at night.*" is future-oriented. Here, the temporal keyword '*Today*' has a time sense of *present* whereas the tense of the verb is also *present*. The deep learning networks have been very useful to correctly capture the temporal dimension of these kinds of tweets. Although the basic Artifi-

cial Neural Networks (ANNs) (Schalkoff, 1997) and Convolutional Neural Network (CNN) (LeCun et al., 1995) capture the temporal orientation of many tweets correctly, they fail to properly identify where the validating temporal information in the tweet has a long dependency between them. For example, the tweet “Working in the same unit today with different staff was much better.” has temporal orientation as *past*. Here, the word which has a temporal sense (i.e. *working, today, was*) are placed at a distance from each other. This motivates us to use the LSTM network.

Bidirectional Long Short Term Memory Networks (Bi-LSTM): LSTMs are a special kind of recurrent neural network (RNN) capable of learning long-term dependencies in the text by effectively handling the vanishing or exploding gradient problem. The Bidirectional LSTMs (Schuster and Paliwal, 1997) train two LSTMs, instead of one, on the input sequence. The first on the input sequence and the second on a reversed copy of the input sequence. It is designed to capture information of the sequential dataset and maintain the contextual features from the past and the future. This can provide an additional context to the network and result in faster and even fuller learning on the problem without keeping the redundant context information.

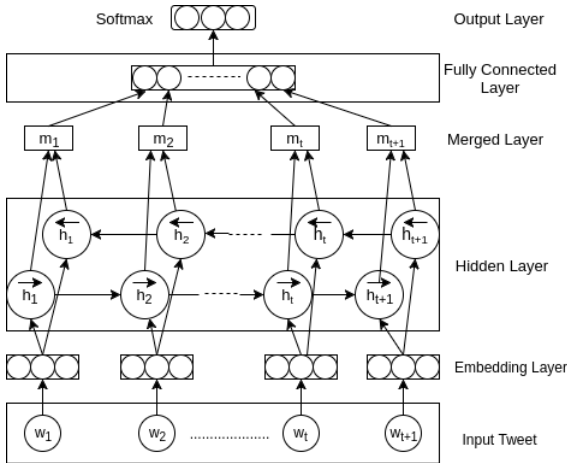


Figure 1: Temporal Orientation learning architecture.

The previous study on the temporal orientation classification based on machine learning includes a supervised classification based on the manually created training set (Schwartz et al., 2015). The multi-class classification was based on a one vs rest approach. But adapting the multiple binary classifiers is not always the best way to deal

with a multi-class classification problem. It requires building of three independent classifiers for each temporal category, which consumes more time. Unlike this approach, we incorporate a deep learning-based multi-class classification method for the temporal orientation. The training corpus is generated in a minimally supervised way and fitted to the Bi-LSTM network.

Our experiment uses Bi-LSTM with 200 neurons at the input layer. The loss function we used is *categorical cross-entropy* and the optimizer used is *Root Mean Square Propagation (rmsprop)*. We repeat the training for 100 number of epochs with batch size set to 128. We also employ dropout (Srivastava et al., 2014) for regularization with a dropout rate of 0.2 to prevent over-fitting. All of these attributes are finalized by parameter tuning with the performance obtained on 10-fold cross-validation using the grid search method. Tweet vectors are generated by existing Glove vectors (Pennington et al., 2014) for tweets² of 200 dimensions which are trained on 27 billion tweets. We also validate our model on the validation set which was 10% of the training set.

3.2 Sentiment View of Temporal Orientation

We use an existing sentiment classifier available with the NLTK toolkit (Bird, 2006) to classify the *user-level* tweets into positive, negative or neutral.³ Sentiment is added at the fine-grained level of the temporal orientation. Given the tweets of a user, the sentiment view of temporal orientation of that user is defined by the following equation:

$$orientation_{s,t}(user) = \frac{|tweets_{s/t}(user)|}{|tweets_t(user)|} \quad (1)$$

where, ($t \in \{past, present, or future\}$), and ($s \in \{positive, negative, or neutral\}$), in equation (1). Here, we first classify each user’s tweet into the past, present or future temporal category. Then for each temporal category, we find the percentage of each sentiment class (i.e positive, negative or neutral) to obtain the sentiment view of temporal orientation.

We measure the correlation between a user’s sentiment view of temporal orientation with their

²<https://nlp.stanford.edu/projects/glove/>

³As we are using a sentiment classifier from well known NLTK library, we are not validating it on a manually-tagged test set.

age, education, intelligence, optimism, and relationship using a linear regression (LR) classifier (Neter et al., 1996).

4 Data Sets

For experiments we categorize the datasets into three kinds: training, test and user-level. Training set consists of 27k tweets, whereas the test set is manually annotated with 741 tweets.⁴ The user-level tweets consist of ≈ 10 million tweets from 5,191 users mapped to their user-level features.

4.1 Training Set

Training tweets are collected using the Twitter streaming API.⁵ The tweets are collected for the duration of September 2017 and October 2017. We consider day-wise trending topics during this period.⁶ We only consider those hashtags which signify a temporal event. Finally, we chose world-wide trending events and collected the tweets based on the hashtags.

The collection of the temporal tweets are based on the following three hypotheses: (a) if a trending topic is of a future event then mostly people would write the futuristic tweets; (b) if a trending topic is about a past incident, then the people would write more about the past but they also write about the present effects of that event; (c) the tweets of trending present event are most critical to handle as besides writing about the present incidents, people always join the links with the past incidents and also give opinion about the future effects.

The task was challenging as the tweets contain a lot of noises and people use various ways to refer to the past, the present and the future. To deal with the pitfalls described in the hypotheses, we filter the tweets using a two-pass filtering method. The method is based on two assumptions (a) every meaningful sentence should contain a verb. (b) mostly past-oriented tweets have tense of the verb as past.

The first assumption is well-established in literature, whereas the second assumption is based on our observation on the tweets and validation against a tense-based classifier. In the first pass of

the filtering method, we filter out the tweets which do not contain a verb. The verb part-of-speech tag is determined using the CMU tweet-tagger (Gimpel et al., 2011). In the second pass of the filtering method, we removed the tweets having tense as past from the tweets of the present and future events.

The CMU tweet-tagger does not provide verbs in different sub-categories. For this reason, we also retrieve the Part-of-Speech (PoS) tag information from the Stanford PoS-tagger (Manning et al., 2014) for all the tweets to get the sub-categories of verb (i.e. VB, VBD, VBG, VBN, VBP, VBZ). We observed that although Stanford PoS-tagger assigned the required verb sub-categories, it also incorrectly tagged some non-verbs as verbs. This is the reason why we considered only those verbs for sub-categorization which were identified (as verbs) by the CMU tweet-tagger.

We varied the training set starting from 3K (equally distributed) to 30K and observed that the accuracy on the gold standard test set did not improve after 27K training instances. Few example tweets with the trending topics are depicted in Table 1.

4.2 Test Set

We evaluate our temporal-orientation classifier on a manually created test set. To get proper assessment on the user-level test set, we randomly selected 800 tweets from the user-level test tweets. Three annotators (post-graduate level students) were asked to tag the tweets in one of the four available classes, namely *past*, *present*, *future* and *other*. The annotation guidelines were as follows:

- Tag a tweet as *past* if it talks about an event which has started as well as ended or the underlying temporal connotation of the tweet refers to the *past* time.
- Tag a tweet as *present* if it talks about an event which started but not ended yet or the tweet has a *present* temporal connotation,
- Tag a tweet as *future* if it talks about an event which is yet to happen.
- Tag a tweet as *other* in case they found it difficult to get the exact temporal tag for the tweets.

⁴All the developed resources are available at <http://www.iitp.ac.in/~ai-nlp-ml/resources.html>

⁵<https://developer.twitter.com/en/docs>

⁶The reason for this selection strategy was the fact that during the passage of time, the future events become present event and the present event becomes past event.

Temporal Orientation	Hashtag	Example Sentence
Past	#Elections2016	did it have influence? of course it did.
	#CPC17	just heard gazza made a guest appearance outside the tory conference.
Present	#HappyHalloween	when you leave for work early but atlanta traffic has other ideas.
	#LHHH	i am trying to figure out who this is
	#WorldTeachersDay	hats off to all the teachers who work hard to not only educate but protect kids everyday.
Future	#U17WC	2017 fifa u17 world cup starts in 3 days
	#2Point0	gonna treat us with 3d visual extravaganza!
	#FutureDecoded	want to get your hands on a new? enter our giveaway at for your chance to win.

Table 1: Example tweets for different temporal orientation categories with trending topics.

We measured the multi-rater kappa agreement (Fleiss, 1971) among the annotators and it was found to have a substantial kappa value of 0.82. The higher kappa value indicates that associating text with temporal dimensions, namely, *past*, *present*, *future*, and *other* is relatively straightforward task for humans by using world knowledge than words (Dias et al., 2014). Moreover, our inter-annotator agreement value is in line with the literature.⁷ Finally, we select the temporal class of a tweet based on the majority voting among the annotators. The distribution of annotated tweets is as follows:

- *Past*- 375 Tweets
- *Present*- 164 Tweets
- *Future*- 202 Tweets
- *Other*- 59 Tweets

We removed tweets tagged as *Other* and used 741 tweets as the test set.⁸

4.3 User-level Test Set

The user-level tweets consist of ≈ 10 million tweets from 5,191 users mapped to their user-level psycho-demographic features developed by PreoŃiuc-Pietro et al. (2015) are used for this current work. In particular, we use five psycho-demographic attributes such as *age*, *education*, *intelligence*, *optimism*, and *relationship* for our experiment. The users’ psycho-demographic features are automatically deduced based on the users’ published texts. PreoŃiuc-Pietro et al. (2015) used a predictive model to automatically infer user-level features. The method uses various user properties (annotated using crowdsourc-

⁷Inter-annotator agreement value for the same task in Schwartz et al. (2015) is 0.83.

⁸We only considered *past*, *present* and *future* classes for the reason justified in Schwartz et al. (2015).

ing) including age, gender, income, education, relationship status, optimism and life satisfaction as well as all the tweets published by a user to infer user-level features.

5 Experimental Results

We first evaluate our temporal orientation classifier which measures the orientation of each tweet as either of *past*, *present* or *future*. The classifier was trained on the training set and evaluated on the test set. We obtain the highest accuracy of 78.27% over 741 test samples. For comparative evaluation, we can consider a strong baseline system proposed by Schwartz et al. (2015). The baseline system was built following a supervised learning strategy over different features such as ngrams, time expression, PoS tags, tweet length, and temporal class-specific lexicons. The system achieved an accuracy of 71.8% when tested over 500 manually annotated data. The baseline was not reproducible as both the training and test set were manually tagged and the datasets were not available.⁹ The baseline model was constructed using the manually annotated data, creation of which involved considerable efforts and expenses. In contrast, we follow a minimally supervised method (does not incur any manual effort) to create our own datasets which are of acceptable quality. We show the results in Table 2.

Orientation	Precision	Recall	F1-measure
Past	81.75	92.0	86.57
Present	79.04	50.61	61.71
Future	71.02	75.24	73.07

Table 2: Precision, Recall and F1-measure of our proposed temporal orientation classification model on manually annotated test data.

⁹We approached the authors of Schwartz et al. (2015) for the data. They did not share the data due to copyright issues. This is the reason for generating our own gold-standard test set.

Results in Table 2 show that the past class is the most correctly classified followed by the future and the present. We observe low recall for the *present* class as many present tweets were mis-classified into either *past* or *future* class. The confusion matrix is shown in Figure 2. The

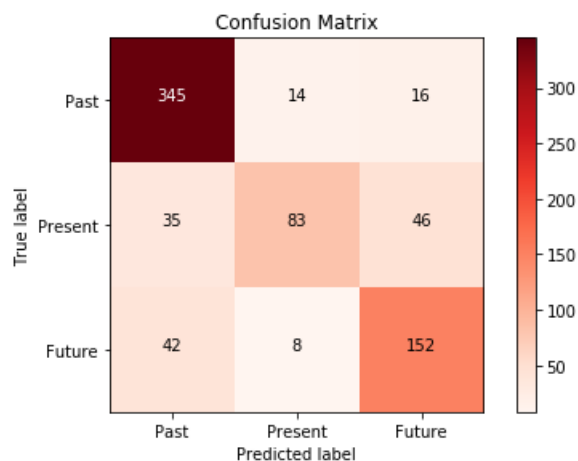


Figure 2: Confusion matrix for the temporal orientation classification.

present class is mis-classified into future when the tweet is of the declarative type. For example, the tweet “*Its not a casserole as theres no binding matrix*” has *present* orientation but our classifier classifies it as of *future* orientation. Another reason could be the fact that the words in the sentence representing *present* temporal orientation are not in the correct form (Its, theres). The *present* classes are mis-classified into the past classes in those cases where mainly the existence of the tense of a verb is *past* but actually the tweet has *present* orientation. For example, the tweet “*For me gloves and mitts made for Cross Country skiing work well for ventilated warmth*” is mis-classified into *past* because of the existence of the word (made) which has tense as *past*. The tweets with *future* orientation are mostly mis-classified into *past* orientation. These kinds of mis-classification is due to either for the presence of past tense or the tweet is a compound sentence which has an independent clause of the past orientation. For example, the tweet “*Hoping to have fun among my friends but wishing I were with you instead*” has a future orientation but it is mis-classified into the past orientation.

We measure the potential limitations of the NLTK sentiment classifier on 100 randomly selected tweets from the test set. The manual ob-

servation shows that the classifier generally mis-classifies where the sentiment of the tweet is not well understood (example: “Big Trucks parked all over”). In some cases, the tweets having conflict sentiment are mis-classified in either of positive or negative class. For example, the tweet “I am very sorry that is a working weekend for me but thanking you very much for the invitation has a conflict sentiment but the classifier classified it into an instance of negative sentiment.

We measure the predictive power of the sentiment view of temporal orientation by performing regression on different psycho-demographic factors. The correlation results between the users’ sentiment view of temporal orientation and their psycho-demographic factors using linear regression are presented in Table 3 and Table 4. The performance is measured using a standard metric, namely *Pearson’s correlation coefficient r* between the inferred and the target values. All the results in Table 3 and Table 4 are statistically significant when tested against null hypothesis ($p_value < 0.05$).

6 Discussion and Findings

We measure the correlation between the Twitter users’ psycho-demographic features and their sentiment view of temporal orientation. In this section, all the discussions and analyses are based on the correlation results over the user test set.

6.1 Demographic Correlates

We select ‘age’, ‘education’ and ‘relationship’ as demographic features for this study. The correlation coefficients between the users’ demographic attributes and their sentiment view of temporal orientation are shown in Table 3.

Results in Table 3 demonstrate that any user’s past-orientation is significantly correlated (0.4677) with their age. In other words, it suggests that when people age they think more about the past than the present and future. To the best of our knowledge, psychology literature (Nurmi, 2005; Steinberg et al., 2009) has not established the correlation of the past orientation with age. Our finding is consistent with a recent computational study on the human temporal orientation (Schwartz et al., 2015) which shows positive correlation between age and the past orientation. However, we also observed that the users’ age has the highest positive correlation (0.5235) with the

User Attribute	Past	Past-Pos	Past-Neg	Past-Neu	Present	Present-Pos	Present-Neg	Present-Neu	Future	Future-Pos	Future-Neg	Future-Neu
Age	0.4677	0.3736	-0.0639	-0.3086	0.0802	0.4392	-0.0538	-0.3635	-0.4547	0.5235	-0.0186	-0.4590
Education:degree	-0.0577	-0.0281	-0.1340	0.0853	0.0347	-0.0402	-0.1588	0.1013	0.0340	-0.0393	-0.1470	0.0807
Education:graduate_degree	-0.2214	-0.1837	-0.2136	0.2625	-0.0082	-0.2139	-0.2454	0.2898	0.2004	-0.2259	-0.2603	0.2817
Education:high_school	0.1137	0.0780	0.1748	-0.1488	-0.0264	0.0970	0.2048	-0.1702	-0.0878	0.0997	0.1994	-0.1507
Relationship:divorced	-0.3100	-0.2414	-0.2106	0.3139	-0.0299	-0.2946	-0.2425	0.3596	0.2898	-0.3139	-0.2654	0.3614
Relationship:in_a_relationship	0.0306	0.0240	0.0742	-0.0560	0.0169	0.0208	0.0596	-0.0431	-0.0355	0.0326	0.0664	-0.0496
Relationship:married	-0.0859	-0.0385	-0.1593	0.1075	0.0173	-0.0605	-0.1800	0.1279	0.0677	-0.0546	-0.1812	0.1049
Relationship:single	0.1280	0.0822	0.1613	-0.1479	-0.0107	0.1082	0.1936	-0.1755	-0.1082	0.1069	0.1866	-0.1531

Table 3: Correlation between users sentiment view of temporal orientation and their different demographic features using LR. Here, pos-positive, neg-negative, neu-neutral.

User Attribute	Past	Past-Pos	Past-Neg	Past-Neu	Present	Present-Pos	Present-Neg	Present-Neu	Future	Future-Pos	Future-Neg	Future-Neu
Intelligence:below_average	-0.0565	-0.0680	0.0724	0.0289	-0.0370	-0.0691	0.0885	0.02401	0.0685	-0.0718	0.0792	0.0391
Intelligence:average	0.1777	0.1422	0.0996	-0.1725	0.0237	0.1604	0.1105	-0.1868	-0.1694	0.1697	0.1277	-0.1904
Intelligence:much_above	-0.2946	-0.2466	-0.2123	0.3198	-0.0333	-0.2928	-0.2451	0.3590	0.2778	-0.3122	-0.2736	0.3625
Optimism:optimist	0.0696	0.1397	-0.0173	-0.1212	0.0097	0.1486	-0.0144	-0.1245	0.0666	0.1604	-0.0023	-0.1417
Optimism:pessimist	0.0536	-0.0670	0.1695	-0.0167	-0.0110	-0.0430	0.1815	-0.0375	-0.0420	-0.0415	0.1708	-0.0164
Optimism:neither	-0.0550	-0.1027	0.0014	0.0944	-0.0033	-0.1132	-0.0010	0.0999	0.0504	-0.1224	-0.0103	0.1119

Table 4: Correlation between users sentiment view of temporal orientation and their different psychological features using LR. Here, pos-positive, neg-negative, neu-neutral.

future-positive. It indicates that people become positively future-orientated when they age, though not surprising, yet somewhat novel. The results indicate that only considering the temporal orientation without the sentiment dimensions can be sometimes misleading as we can observe that the negative future-orientation has a negative correlation (-0.4547) with age while the future-positive has a positive correlation with age.

Figure 3 explains how the trends of the sentiment view of temporal orientation varies from age 10 to 60. We observe that for all the temporal classes, the positive sentiment increases rapidly with the increase of age. Most interestingly, for all the temporal orientation people become negative up to the age of 28 and then their negative sentiment steadily reduces. We also observe that human’s neutral sentiment rapidly decreases up to the age of 27 and then it decreases steadily.

The second demographic attribute we considered is ‘education’. We measure the correlation between the temporal orientation and three different levels of education: *degree*, *graduate_degree*, and *high_school*. In the psychological literature (Horstmannshof and Zimitat, 2007; Richardson et al., 2012), it was reviewed that the students’ temporal orientations is a new dimension to approaches in enhancing student engagement in the academics. It was found that the first year students of university were more *future-oriented* rather than present or past oriented. From our results in Table 3, we found that the users who have education of *degree* level are *present-oriented*. But interestingly they nei-

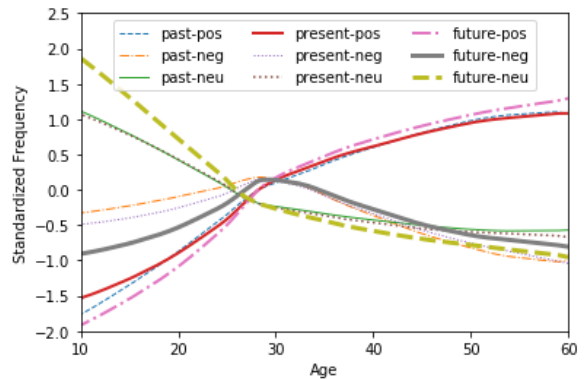


Figure 3: Standardized sentiment view of temporal orientation of the users over their age. Smoothing was done using loess smoothing estimates. Here, pos-positive, neg-negative, neu-neutral.

ther think positively nor negatively-they express more neutral sentiment. Users with education of *graduate_degree* are found to be *future-oriented*. Here, the fine-grained classification suggests that they also express the *neutral* sentiment. Interestingly, we found that the users with education of *high_school* had *positive* correlation with *past orientation*. However, when we considered the sentiment dimension, we found that it was actually correlated with *present orientation* with *negative sentiment*.

Our third and final demographic feature ‘relationship’ is categorized into four types in our current study: *divorced*, *in_a_relationship*, *married*, and *single*. From the results in Table 3, we observe that the users who are *divorced* found to be more future oriented and they seem to express the neu-

tral sentiment. The *in_a_relationship* users seem to be more past-oriented. They also found to be negative minded. Married people are found to be present oriented while expressing the neutral sentiment. The users who are single, are generally futuristic but they are negative about it.

6.2 Psychological Correlates

We chose two psychological factors, intelligence and optimism. The correlation coefficient results are shown in Table 4.

The intelligence level of the users was measured in three sub-categories: *intelligence:below_average*, *intelligence:average* and *intelligence:much_above*. Some novel findings have been observed through our results. We found a modest yet significant positive correlation between intelligence *below_average* and negative view of the present orientation. It suggests that the users having intelligence *below_average* are present oriented but they seem to have negative view of it. Surprisingly, we found that average intelligent users are past-oriented but considering the sentiment dimension they seem to be more future-positive. However, this should be validated with further investigation. We found that the users who have intelligence *much_above* are more future orientated. Interestingly, we found a negative correlation with the future-positive. However, we found a positive correlation (0.3614) with the future-neutral which suggests that the users with much above intelligence are futuristic and they express a neutral view.

We chose three categories of optimism: optimistic, pessimistic, and neither for our observation. The result shown in Table 4 suggests that the optimistic people are future oriented. They also seem to have positive sentiment. Although the link between the future orientation and optimism is well established in literature (Lennings, 2000; Busseri et al., 2013), there is no empirical study for a large number of users. We find a relatively higher positive correlation between the pessimist and the present-negative which suggests that the pessimistic people are negative minded and focus more on present. People who are neither optimistic nor pessimistic are found to be future oriented with the neutral sentiment which is also a novel finding.

7 Conclusion and Future Work

This paper presents a first large-scale study to associate the psycho-demographic profile of the Twitter users with their sentiment view of temporal orientation based on language they use in Twitter. We first detect the temporal orientation of the tweets using the Bi-LSTM based temporal orientation classifier. We generated the temporal categories of our training set in a minimally supervised way. We created a benchmark dataset for the evaluation of our temporal orientation classifier. The temporal orientation classifier achieved an accuracy of 78.27% when run on the manually tagged test data. We added the sentiment dimension at the fine-grained level of the temporal orientation. The associations between the users' sentiment view of temporal orientation and their different psycho-demographic attributes (age, education, intelligence, optimism, and relationship) are somewhat novel in the context of the computational social science studies. Whereas the study on the temporal orientation concentrated on a coarse-grained level, we focused on the fine-grained level of temporal orientation which opens more aspects of the social, economic, and psychological research which was not possible previously on a large scale.

Acknowledging the possible limitations of this study including the quality of the sentiment classifier and a low recall of the present temporal orientation, in future, we will consider more sophisticated sentiment classifier for better performance and explore more linguistic insight into consideration to improve the performance of the temporal orientation classifier. We also like to extend our work with the link to more behavioral study and analysis.

8 Acknowledgments

Asif Ekbal acknowledges Young Faculty Research Fellowship (YFRF), supported by Visvesvaraya PhD scheme for Electronics and IT, Ministry of Electronics and Information Technology (MeitY), Government of India, being implemented by Digital India Corporation (formerly Media Lab Asia). Mohammed Hasanuzzaman and Andy Way would like to acknowledge ADAPT Centre for Digital Content Technology, funded under the SFI Research Centres Programme (Grant 13/RC/2106) and is co-funded under the European Regional Development Fund.

References

- Jean Adams and Daniel Nettle. 2009. Time Perspective, Personality and Smoking, Body Mass, and Physical Activity: An Empirical Study. *British journal of health psychology* 14(1):83–105.
- Omar Alonso, Jannik Strötgen, Ricardo A. Baeza-Yates, and Michael Gertz. 2011. Temporal Information Retrieval: Challenges and Opportunities. In *WWW2011 Workshop on Linked Data on the Web*. Hyderabad, India, pages 1–8.
- Iyad Batal, Dmitriy Fradkin, James H. Harrison Jr., Fabian Moerchen, and Milos Hauskrecht. 2012. Mining Recent Temporal Patterns for Event Detection in Multivariate Time Series Data. In *The 18th ACM SIGKDD International Conference on Knowledge Discovery and Data Mining*. Beijing, China, pages 280–288.
- Steven Bird. 2006. NLTK: The Natural Language Toolkit. In *Proceedings of the COLING/ACL 2006 Interactive Presentation Sessions*. Sydney, Australia, pages 69–72.
- Michael A Busseri, Annette Malinowski, and Becky L Choma. 2013. Are Optimists Oriented Uniquely Toward the Future? Investigating Dispositional Optimism from a Temporally-expanded Perspective. *Journal of Research in Personality* 47(5):533–538.
- Angel X. Chang and Christopher D. Manning. 2012. SUTime: A Library for Recognizing and Normalizing Time Expressions. In *Proceedings of the Eighth International Conference on Language Resources and Evaluation*. Istanbul, Turkey, pages 3735–3740.
- Munmun De Choudhury, Scott Counts, and Eric Horvitz. 2013. Predicting Postpartum Changes in Emotion and Behavior via Social Media. In *2013 ACM SIGCHI Conference on Human Factors in Computing Systems*. Paris, France, pages 3267–3276.
- Jeffrey A Cully, Donna LaVoie, and Jeffrey D Gfeller. 2001. Reminiscence, Personality, and Psychological Functioning in Older Adults. *The Gerontologist* 41(1):89–95.
- Gaël Harry Dias, Mohammed Hasanuzzaman, Stéphane Ferrari, and Yann Mathet. 2014. TempoWordNet for Sentence Time Tagging. In *Proceedings of the 23rd International Conference on World Wide Web*. New York, USA, pages 833–838.
- Peter Sheridan Dodds, Kameron Decker Harris, Isabel M Kloumann, Catherine A Bliss, and Christopher M Danforth. 2011. Temporal Patterns of Happiness and Information in a Global Social Network: Hedonometrics and Twitter. *PloS one* 6(12):1–26.
- Lisa Drake, Elaine Duncan, Fi Sutherland, Clare Abernethy, and Colette Henry. 2008. Time Perspective and Correlates of Wellbeing. *Time & Society* 17(1):47–61.
- Joseph L Fleiss. 1971. Measuring Nominal Scale Agreement among Many Raters. *Psychological Bulletin* 76(5):378–382.
- Linda K George. 2009. Still Happy after all these Years: Research Frontiers on Subjective Well-being in Later Life. *Journals of Gerontology Series B: Psychological Sciences and Social Sciences* 65(3):331–339.
- Kevin Gimpel, Nathan Schneider, Brendan O’Connor, Dipanjan Das, Daniel Mills, Jacob Eisenstein, Michael Heilman, Dani Yogatama, Jeffrey Flanigan, and Noah A. Smith. 2011. Part-of-Speech Tagging for Twitter: Annotation, Features, and Experiments. In *The 49th Annual Meeting of the Association for Computational Linguistics: Human Language Technologies*. Portland, Oregon, USA, pages 42–47.
- Lori C Guthrie, Stephen C Butler, and Michael M Ward. 2009. Time Perspective and Socioeconomic Status: A Link to Socioeconomic Disparities in Health? *Social science & medicine* 68(12):2145–2151.
- Sepp Hochreiter and Jürgen Schmidhuber. 1997. Long Short-term Memory. *Neural computation* 9(8):1735–1780.
- Louise Horstmanshof and Craig Zimitat. 2007. Future Time Orientation Predicts Academic Engagement among First-year University Students. *British Journal of Educational Psychology* 77(3):703–718.
- Alexander T. Ihler, Jon Hutchins, and Padhraic Smyth. 2006. Adaptive Event Detection with Time-varying Poisson Processes. In *Proceedings of the Twelfth ACM SIGKDD International Conference on Knowledge Discovery and Data Mining*. Philadelphia, PA, USA, pages 207–216.
- Hideo Joho, Adam Jatowt, Roi Blanco, Hajime Naka, and Shuhei Yamamoto. 2014. Overview of NTCIR-11 Temporal Information Access (Temporalialia) Task. In *Proceedings of the 11th NTCIR Conference on Evaluation of Information Access Technologies*. Tokyo, Japan, pages 429–437.
- Eva Kahana, Boaz Kahana, and Jianping Zhang. 2005. Motivational Antecedents of Preventive Proactivity in Late Life: Linking Future Orientation and Exercise. *Motivation and emotion* 29(4):438–459.
- Elena Kazakina. 1999. *Time Perspective of Older Adults: Relationships to Attachment Style, Psychological Well-being, and Psychological Distress*. Ph.D. thesis, ProQuest Information & Learning.
- Michal Kosinski, David Stillwell, and Thore Graepel. 2013. Private Traits and Attributes are Predictable from Digital Records of Human Behavior. *Proceedings of the National Academy of Sciences* 110(15):5802–5805.

- Yann LeCun, Yoshua Bengio, et al. 1995. Convolutional Networks for Images, Speech, and Time Series. *The handbook of brain theory and neural networks* 3361(10):276–279.
- CJ Lennings. 2000. Optimism, Satisfaction and Time Perspective in the Elderly. *The International Journal of Aging and Human Development* 51(3):167–181.
- Christopher D. Manning, Mihai Surdeanu, John Bauer, Jenny Rose Finkel, Steven Bethard, and David McClosky. 2014. The Stanford CoreNLP Natural Language Processing Toolkit. In *Proceedings of the 52nd Annual Meeting of the Association for Computational Linguistics*. Baltimore, MD, USA, pages 55–60.
- James Marquardt, Golnoosh Farnadi, Gayathri Vasudevan, Marie-Francine Moens, Sergio Davalos, Ankur Teredesai, and Martine De Cock. 2014. Age and gender identification in social media. In *Working Notes for CLEF 2014 Conference*. Sheffield, UK, pages 1129–1136.
- John Neter, Michael H Kutner, Christopher J Nachtsheim, and William Wasserman. 1996. *Applied Linear Statistical Models*, volume 4. Irwin, Chicago.
- Jari-Erik Nurmi. 2005. Thinking about and Acting upon the Future: Development of Future Orientation across the Life Span. *Understanding behavior in the context of time: Theory, research, and application* pages 31–57.
- Gregory Park, H Andrew Schwartz, Johannes C Eichstaedt, Margaret L Kern, Michal Kosinski, David J Stillwell, Lyle H Ungar, and Martin EP Seligman. 2015. Automatic Personality Assessment through Social Media Language. *Journal of personality and social psychology* 108(6):934–952.
- Gregory Park, H Andrew Schwartz, Maarten Sap, Margaret L Kern, Evan Weingarten, Johannes C Eichstaedt, Jonah Berger, David J Stillwell, Michal Kosinski, Lyle H Ungar, et al. 2017. Living in the Past, Present, and Future: Measuring Temporal Orientation With Language. *Journal of personality* 85(2):270–280.
- Jeffrey Pennington, Richard Socher, and Christopher Manning. 2014. Glove: Global Vectors for Word Representation. In *Proceedings of the 2014 conference on empirical methods in natural language processing (EMNLP)*. pages 1532–1543.
- Daniel Preoțiuc-Pietro, Svitlana Volkova, Vasileios Lampos, Yoram Bachrach, and Nikolaos Aletras. 2015. Studying User Income through Language, Behaviour and affect in Social Media. *PloS one* 10(9):1–17.
- Michelle Richardson, Charles Abraham, and Rod Bond. 2012. Psychological Correlates of University Students’ Academic Performance: a Systematic Review and Meta-analysis. *Psychological bulletin* 138(2):353–387.
- Takeshi Sakaki, Makoto Okazaki, and Yutaka Matsuo. 2013. Tweet Analysis for Real-time Event Detection and Earthquake Reporting System Development. *IEEE Transactions on Knowledge and Data Engineering* 25(4):919–931.
- Maarten Sap, Gregory J. Park, Johannes C. Eichstaedt, Margaret L. Kern, David Stillwell, Michal Kosinski, Lyle H. Ungar, and H. Andrew Schwartz. 2014. Developing Age and Gender Predictive Lexica over Social Media. In *Proceedings of the 2014 Conference on Empirical Methods in Natural Language Processing*. Doha, Qatar, pages 1146–1151.
- Robert J Schalkoff. 1997. *Artificial Neural Networks*, volume 1. McGraw-Hill, New York.
- Mike Schuster and Kuldip K Paliwal. 1997. Bidirectional Recurrent Neural Networks. *IEEE Transactions on Signal Processing* 45(11):2673–2681.
- H Andrew Schwartz, Johannes C Eichstaedt, Margaret L Kern, Lukasz Dziurzynski, Stephanie M Ramones, Megha Agrawal, Achal Shah, Michal Kosinski, David Stillwell, Martin EP Seligman, et al. 2013. Personality, Gender, and Age in the Language of Social Media: The Open-vocabulary Approach. *PloS one* 8(9):1–16.
- H. Andrew Schwartz, Greg Park, Maarten Sap, Evan Weingarten, Johannes Eichstaedt, Margaret Kern, Jonah Berger, Martin Seligman, and Lyle Ungar. 2015. Extracting Human Temporal Orientation in Facebook Language. In *Proceedings of The 2015 Conference of the North American Chapter of the Association for Computational Linguistics-Human Language Technologies (NAACL)*. Denver, Colorado, USA, pages 409–419.
- Nitish Srivastava, Geoffrey E Hinton, Alex Krizhevsky, Ilya Sutskever, and Ruslan Salakhutdinov. 2014. Dropout: a Simple Way to Prevent Neural Networks from Overfitting. *Journal of machine learning research* 15(1):1929–1958.
- Laurence Steinberg, Sandra Graham, Lia OBrien, Jennifer Woolard, Elizabeth Cauffman, and Marie Banich. 2009. Age Differences in Future Orientation and Delay Discounting. *Child development* 80(1):28–44.
- Maciej Stolarski, Joanna Bitner, and Philip G Zimbardo. 2011. Time Perspective, Emotional Intelligence and Discounting of Delayed Awards. *Time & Society* 20(3):346–363.
- Jannik Strötgen and Michael Gertz. 2015. A Baseline Temporal Tagger for all Languages. In *Proceedings of the 2015 Conference on Empirical Methods in Natural Language Processing*. Lisbon, Portugal, pages 541–547.
- Naushad UzZaman, Hector Llorens, Leon Derczynski, James F. Allen, Marc Verhagen, and James Pustejovsky. 2013. SemEval-2013 Task 1: TempEval-3: Evaluating Time Expressions, Events, and

Temporal Relations. In *Proceedings of the 7th International Workshop on Semantic Evaluation, SemEval@NAACL-HLT 2013*. Atlanta, Georgia, USA, pages 1–9.

Marc Verhagen, Robert Gaizauskas, Frank Schilder, Mark Hepple, Jessica Moszkowicz, and James Pustejovsky. 2009. The Tempeval Challenge: Identifying Temporal Relations in Text. *Language Resources and Evaluation (LRE)* 43(2):161–179.

Marc Verhagen, Roser Saurí, Tommaso Caselli, and James Pustejovsky. 2010. SemEval-2010 Task 13: TempEval-2. In *Proceedings of the 5th International Workshop on Semantic Evaluation, SemEval@ACL 2010*. Uppsala, Sweden, pages 57–62.

Paul Webley and Ellen K Nyhus. 2006. Parents Influence on Childrens Future Orientation and saving. *Journal of Economic Psychology* 27(1):140–164.

Philip G Zimbardo and John N Boyd. 2015. Putting Time in Perspective: A Valid, Reliable Individual-differences Metric. *Journal of Personality and Social Psychology* 77(6):1271–1288.