

# Appendix

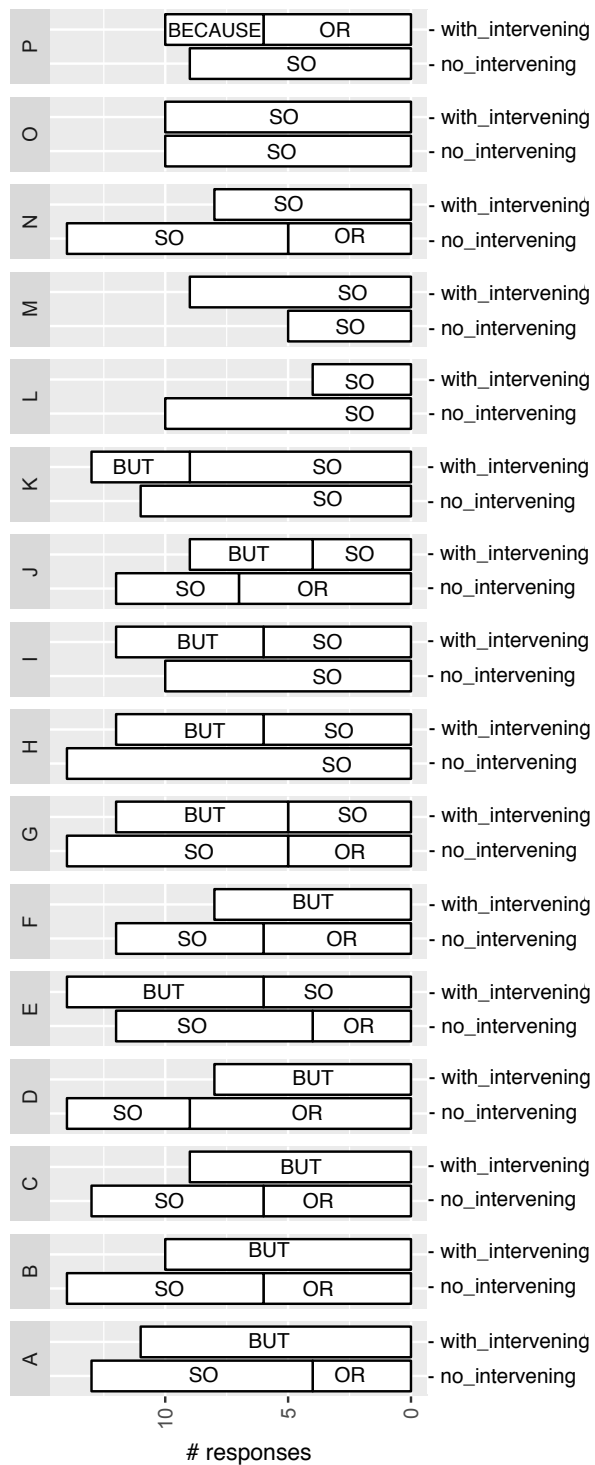


Figure 4: Results for *In other words*, showing conjunctions with response counts of 4 or more

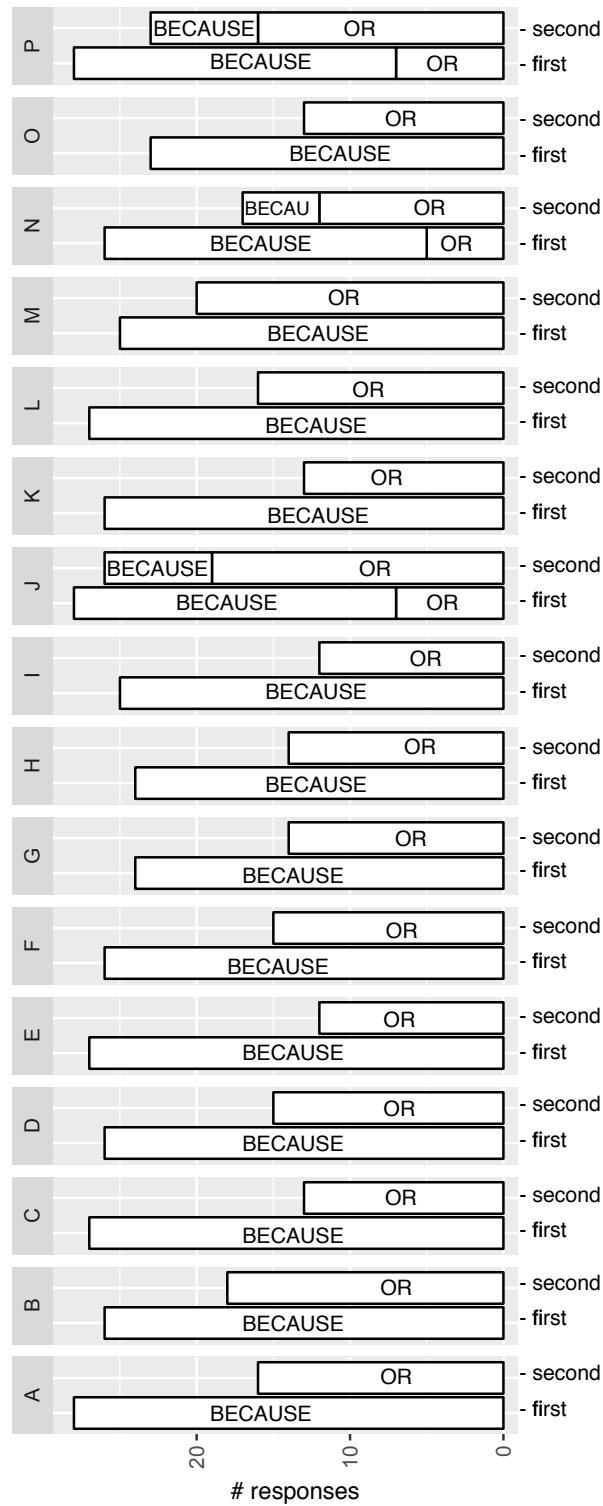


Figure 5: Results for *Otherwise* (Argumentation passages), showing conjunctions with response counts of 4 or more

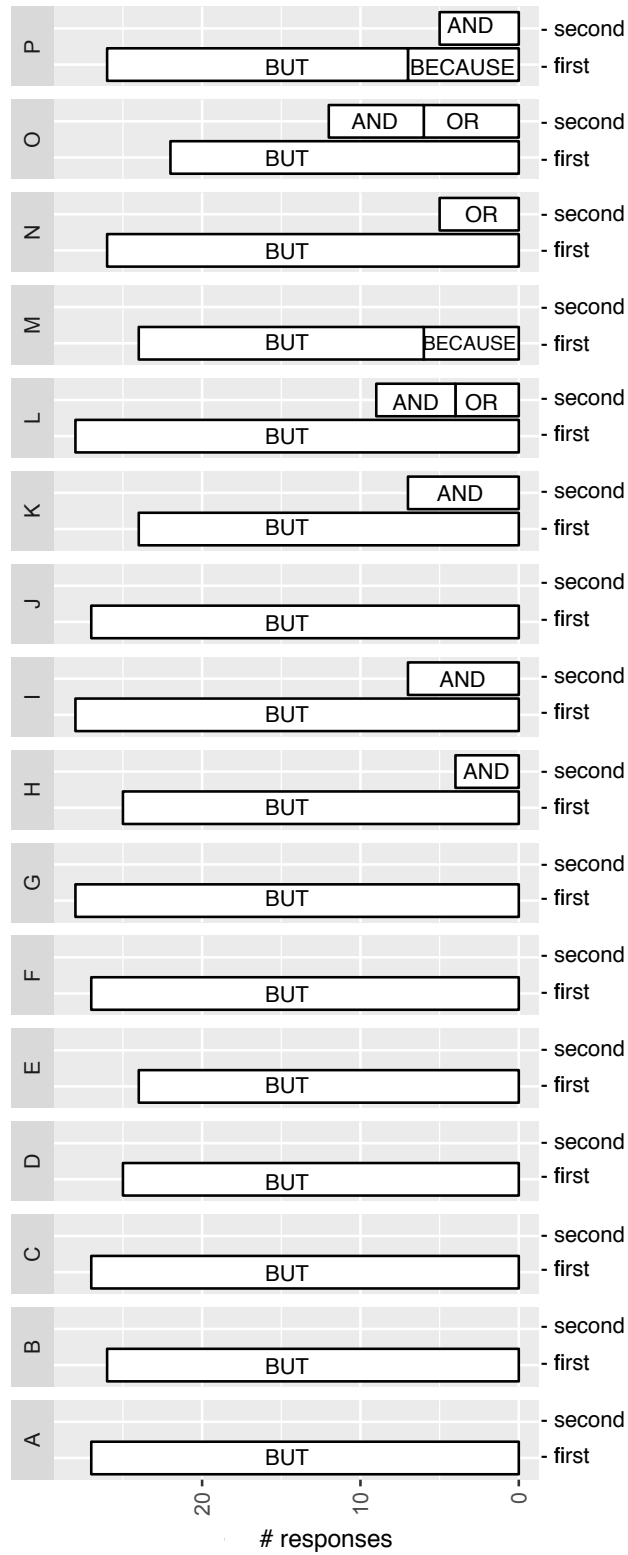


Figure 6: Results for *Otherwise* (Exception passages), showing conjunctions with response counts of 4 or more

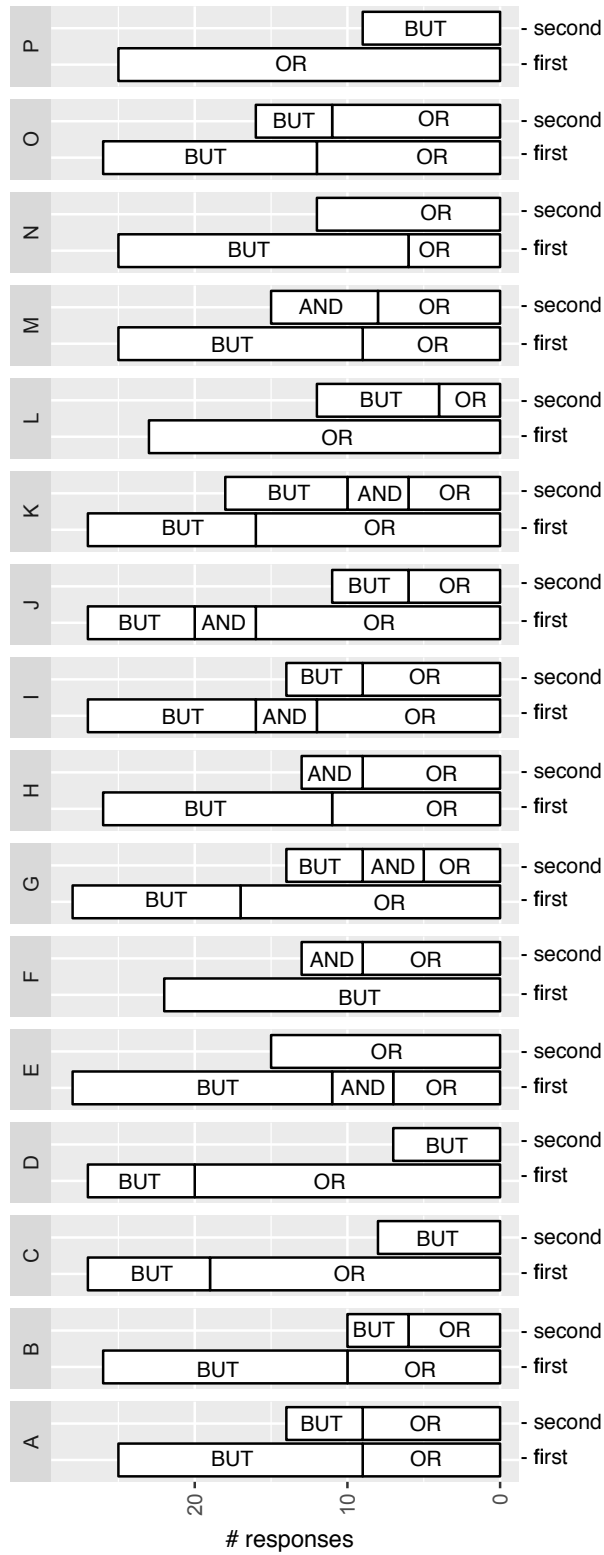


Figure 7: Results for *Otherwise* (Enumeration passages), showing conjunctions with response counts of 4 or more

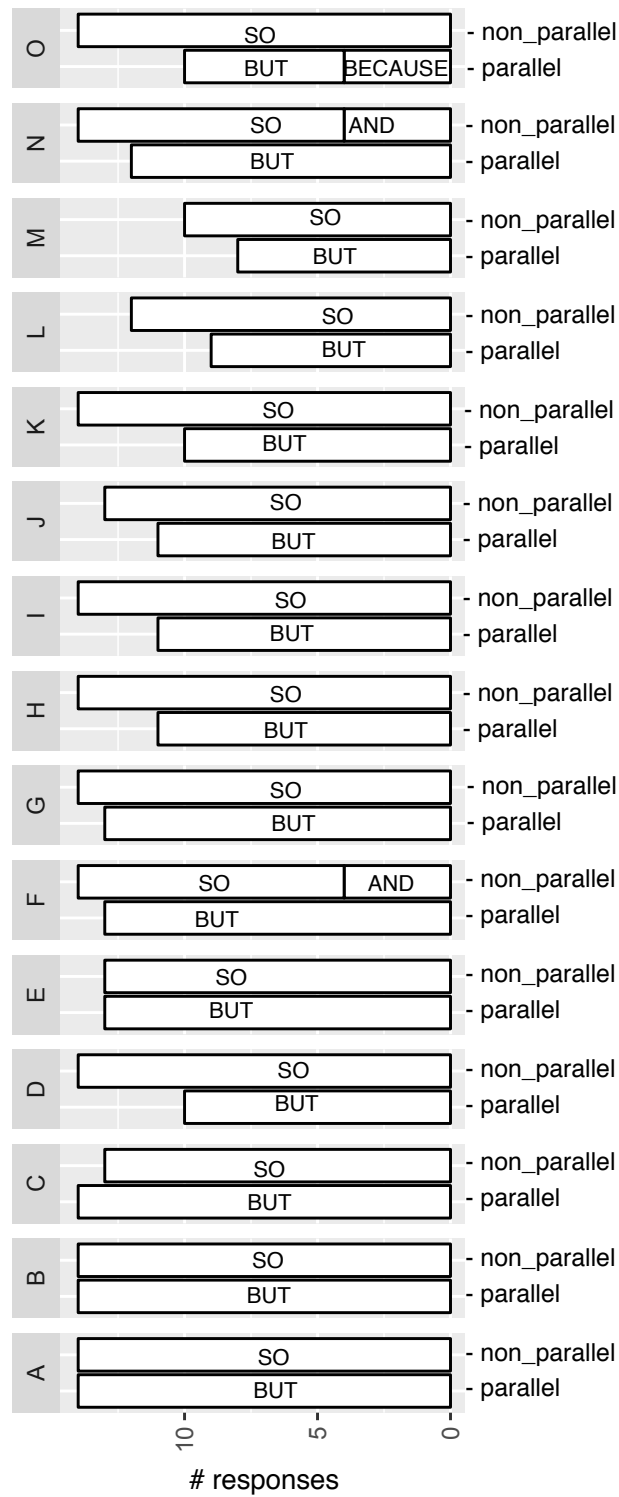


Figure 8: Results for *Instead*, showing conjunctions with response counts of 4 or more

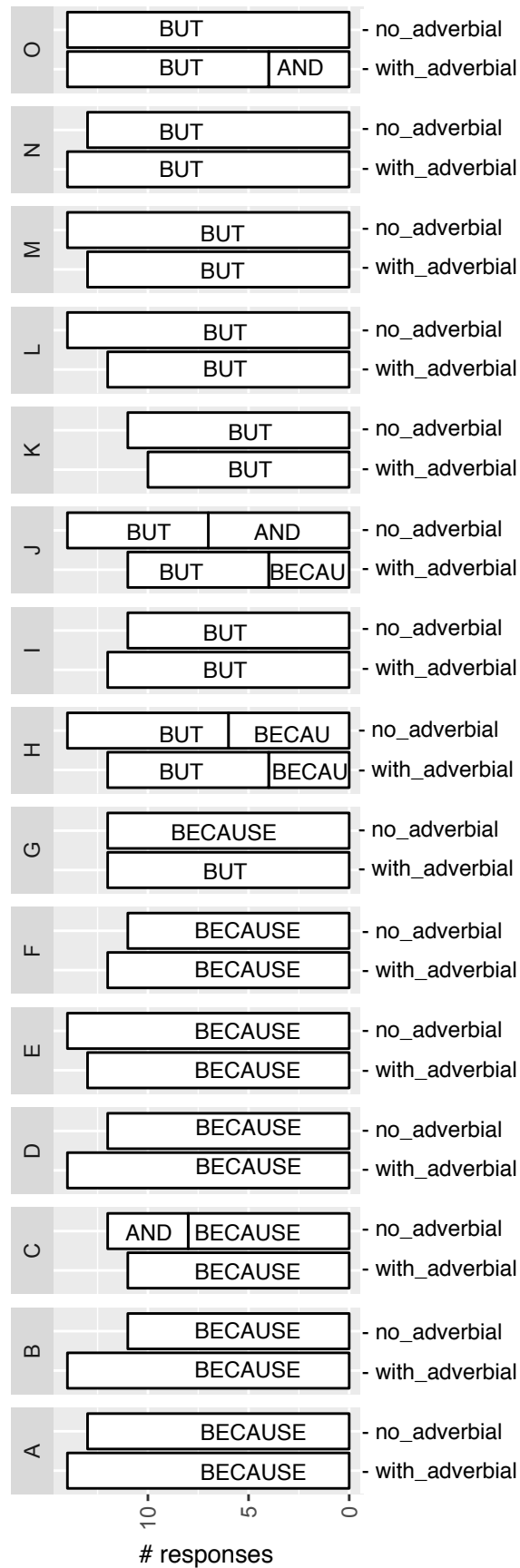


Figure 9: Results for *After all*, showing conjunctions with response counts of 4 or more